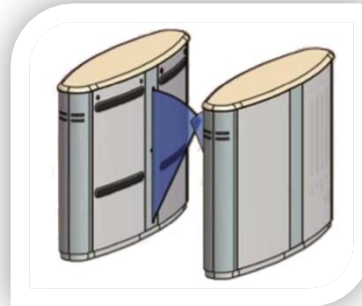
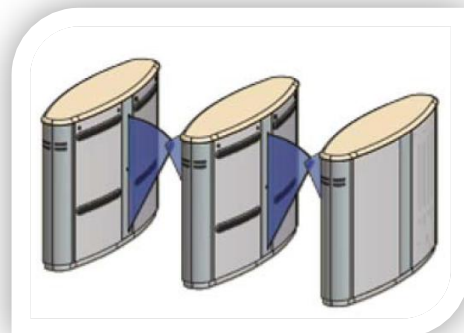
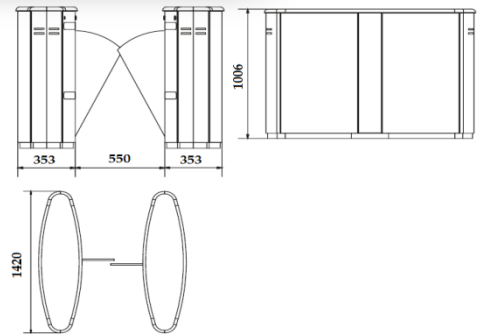


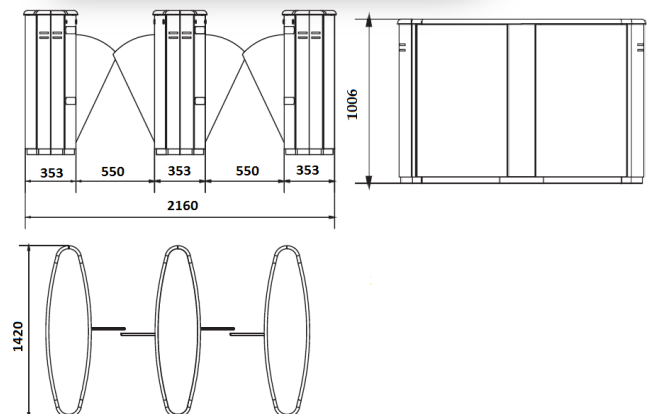
Casework Dimesions(WxHxL)	:350x1420x1006 mm
Clear Walkway-adjustable	:500-550 mm
Drive	:Motorized
Top Cover	:Special covered wooden
Front Cover	:304 grade Stainless Steel
Wing Housing	:304 grade Stainless Steel
Inlay	:304 grade Stainless Steel
Wings	:15 mm Plexyglass
Side Covers	:PMMA and Stainless Steel
Installations	: 304 grade Stainless Steel
Weight	:80 kg
Power Supply	:115/230W AC50/60 Hz,300VA
Operation Voltage	: 24VDC +-%20
One person per complete passage	:20-30
With multiple passage use	:30
Opening/closing period	:0,30-0,50
IP Protection External Case /Electronical Equipments	:IP42/IP54



SINGLE LINE



DOUBLE LINE



- All mechanical pieces are coated with protective coating against corrosion.

- Please note the figures are approximate, depends on access control authorization response time.

